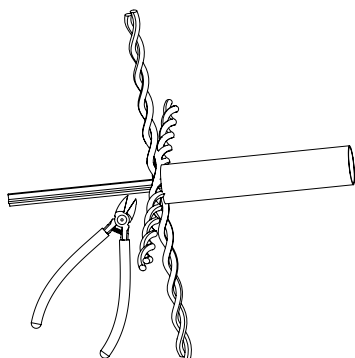


Instruction Manual Keystone Jack - UTP 22-26 AWG Toolless

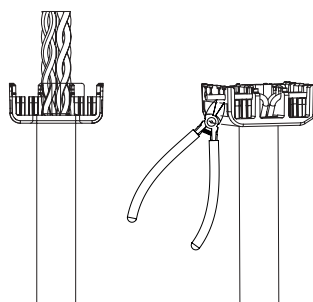
- 1 Strip approximately 40 mm of the cable jacket.



- 2 Separate the wire into 4 pairs. Cut off the cross filler by diagonal plier.

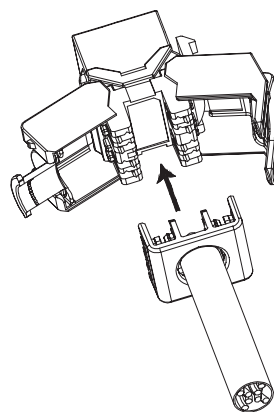


- 3 Insert the pairs through the cap slots according to TIA568A/B wiring instruction label and trim the wires flush.

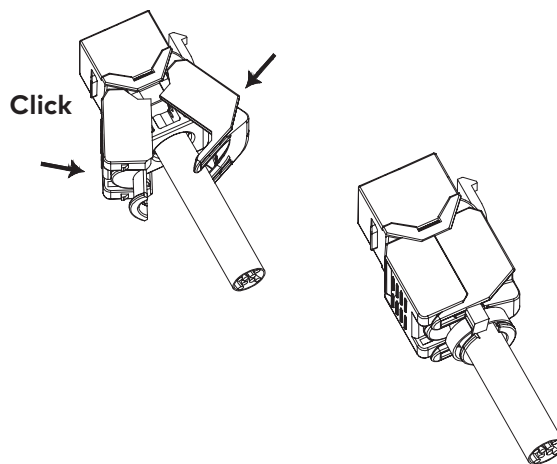


It is strongly recommended that the tip of the wire protrudes only 0,1 mm.

- 4 Match the T-shape rib in cap with the corresponding cavity on keystone. Press the cap down onto the keystone and make sure that the wires are deeper than the tiny teeth inside of keystone slots.



- 5 Close the outer cap by pushing down both sides until it clicks. For more security please tie up the cable tie that is in the packaging.



Done! Good Job!

	TIA/EIA T568A	TIA/EIA T568B	
Jack Pin Designations	1	White/Green	White/Orange
	2	Green	Orange
	3	White/Orange	White/Green
	6	Orange	Green
	4	Blue	Blue
	5	White/Blue	White/Blue
	7	White/Brown	White/Brown
	8	Brown	Brown

Other languages

