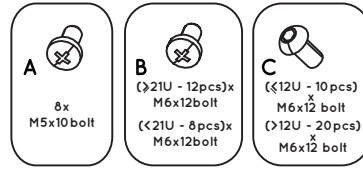


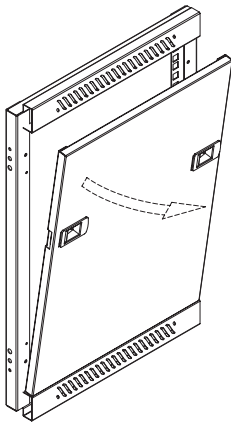
SERIES CRUX 1



Safety warning – Do not climb on, rock, shake your rack. Only someone with good mechanical skill and who has experience should install this rack. Never exceed the maximum load capacity. If you didn't understand this instructions manual please contact us by info@barpa.eu

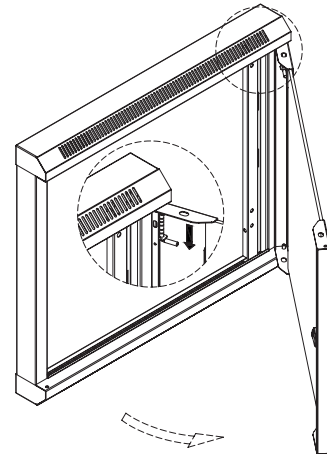
ATTENTION:

please remove front/back door and side panel from the frame prior to unpacking.



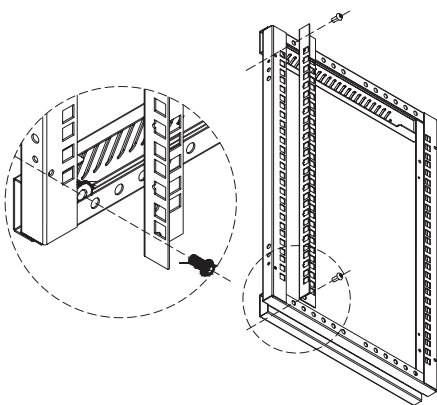
a

Remove side panel from frame, put them separate for the preparation of the frame assembly;



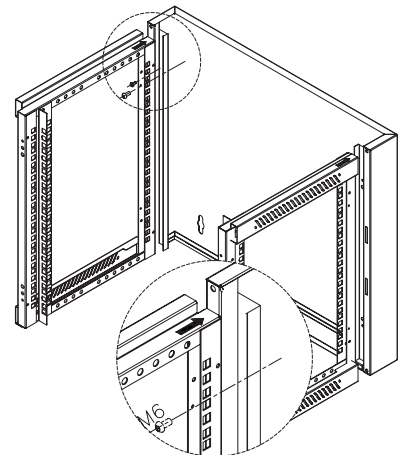
b

Open the front door by key, pull the door latch downward, refer to the picture, remove the front door from front frame, put them separate for the preparation of the frame assembly;



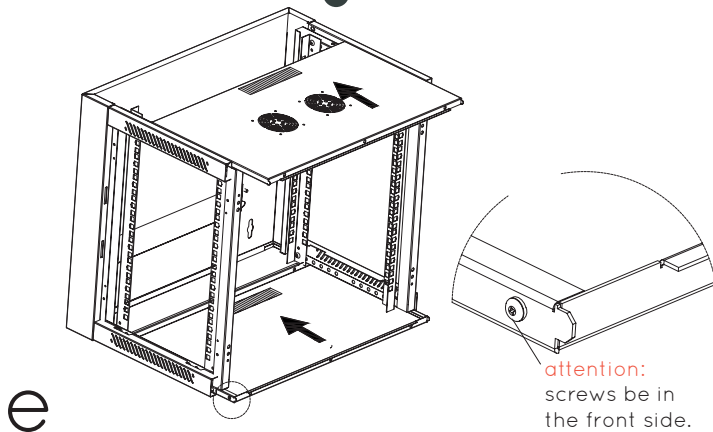
c

Fix 19" mounting rails to the first holes of top & bottom of side frames by 4sets of M5 screws;

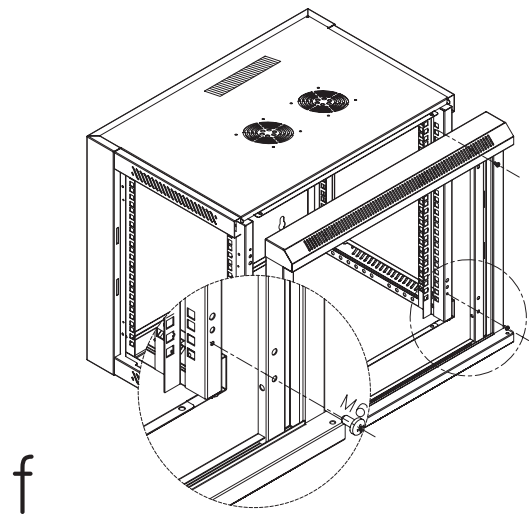


d

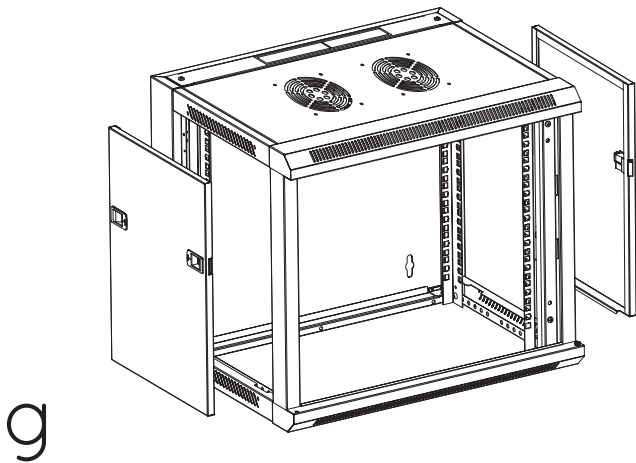
Install side frames to the grooves of back frame by 4pcs of M6*12 screws (6pcs if more than 18U) as shown by the arrow in the picture, note 19" mounting rails are in the front side;



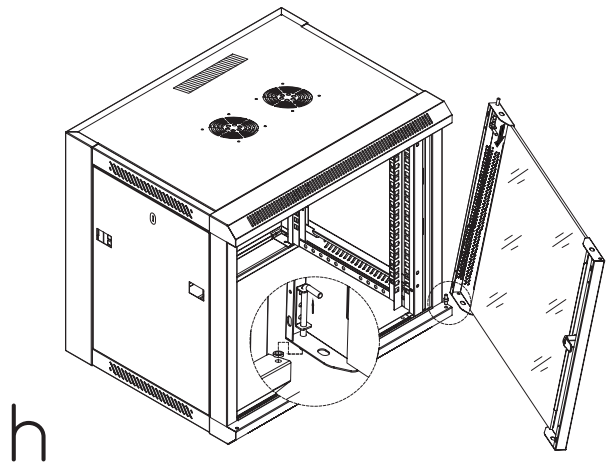
Install top and bottom as shown by the arrow in the picture.
Tip: Please note the direction when install bottom, screws will be in the front side, please refer to picture;



Install front frame by 4pcs of M6*12 screws (6pcs of M6*12 screws if more than 18U), refer to the picture;



Install side panels, refer to the picture



Repetition step 2, install front door.
Tip: SE enclosure is the bolted structure, need to adjust the diagonal size of enclosure after the assembly, ensure homogeneous space for all doors and doors work well.

You are ready to go!