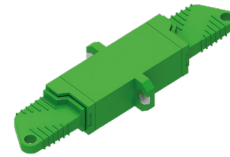
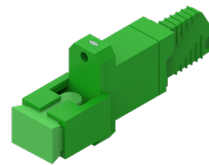


### DESCRIPTION

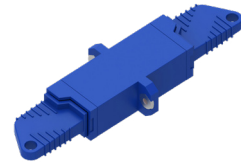
High reliability and precision alignment. Easy to use. Can be widely used for FTT, passive optical network (OPN) and cable TV network (CATV). Low Insertion loss and return loss. Good repeatability, changeability and temperature stabilization. Include dust protection caps. Allow fitting in the bulkheads patch panel either with a nut or with clips.



E2000/APC SIMPLEX



E2000/APC - SC/APC SIMPLEX



E2000 SIMPLEX

### STANDARDS

- ISO/IEC 11801 • EN 50173-1 • IEC 61754-20 • IEC 61753-1
- IEC 61300 • RoHS



### OPERATING PERFORMANCE

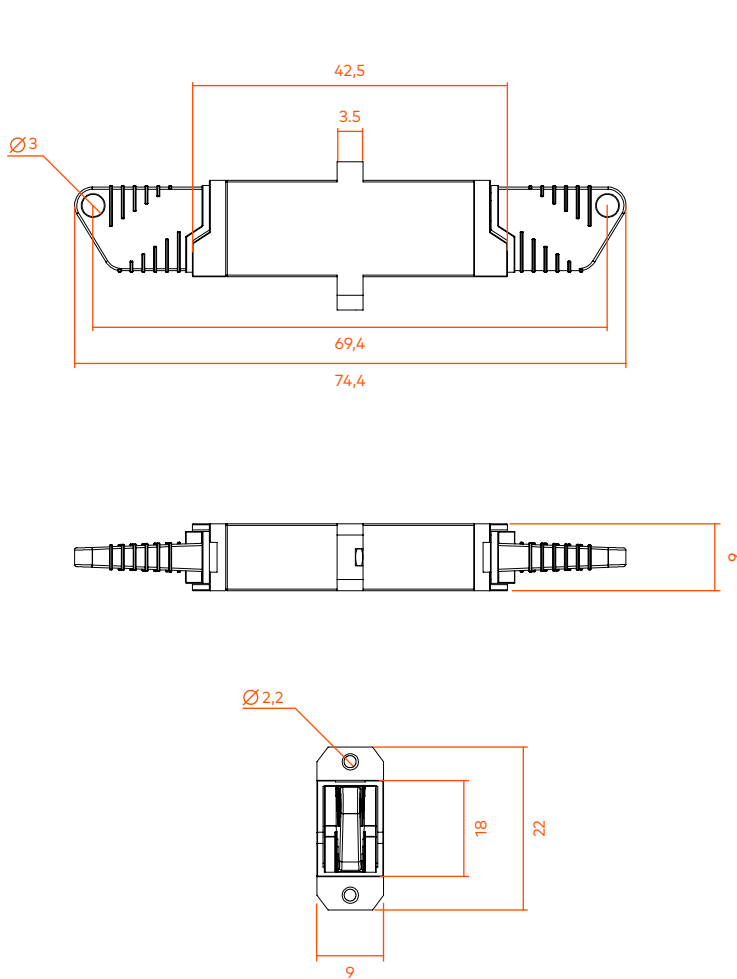
	Singlemode	
	UPC	APC
Insertion Loss (dB)	< 0,3	< 0,3
Durability (500 Mating) (dB)	< 0,2	< 0,2
Operation Temperature (°C)	-40 to +85	-40 to +85
Retention Force (N)	200-600	200-600
Housing Material	PEI (PBT)	PEI (PBT)
Mounting Style	Screws	Screws
Sleeve Material	Ceramics (Grade A)	Ceramics (Grade A)
Colour	Blue	Green

## LOGISTICS INFORMATION

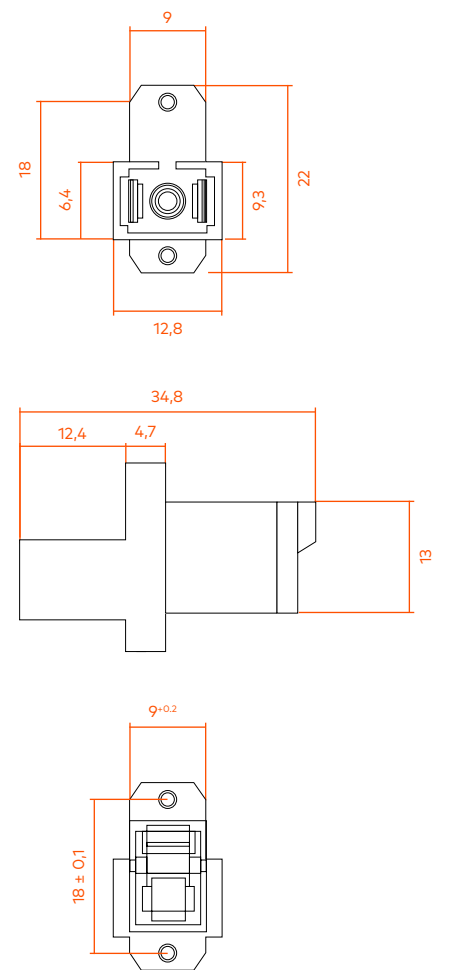
Code	Description	Conector	Category	Typology	Color	Quantity (un)
81411071051	Adapter OS2 E2000/APC Simplex	E2000/APC	OS2	Simplex	Green	12
81411081041	Adapter OS2 E2000 Simplex	E2000	OS2	Simplex	Blue	12
81411101051	Adapter OS2 E2000/APC-SC/APC Simplex	E2000/APC-SC/APC	OS2	Simplex	Green	12

## TECHNICAL DRAWING (mm)

E2000/APC SIMPLEX | E2000 SIMPLEX



E2000/APC - SC/APC SIMPLEX



## PACKAGING

---

This images are merely illustratives. We want you to see the importance we attach to the packaging.  
We always work with products and materials that are easy to use.



As part of our goal to achieve quality excellence, our barpa System Warranty can give you 25 years products and solution assurance of compliance with the industry performance standard comparing with the class installed. This warranty applies to network infrastructure installations that was made by an approved barpa partner using an barpa solution (end-to-end). For more informations go to our website.