

## LC ADAPTER

### DESCRIPTION

High reliability and precision alignment. Easy to use. Can be widely used for FTT, passive optical network (OPN) and data center. Low Insertion loss and Return loss. Good repeatability, changeability and temperature stabilization. Include dust protections caps. Allow fitting in the bulkheads patch panel either with a screw or with clips.

### STANDARDS

- ISO/IEC 11801 • EN 50173-1 • IEC 61754-20 • IEC 61753-1
- IEC 61300 • RoHS



## OPERATING PERFORMANCE

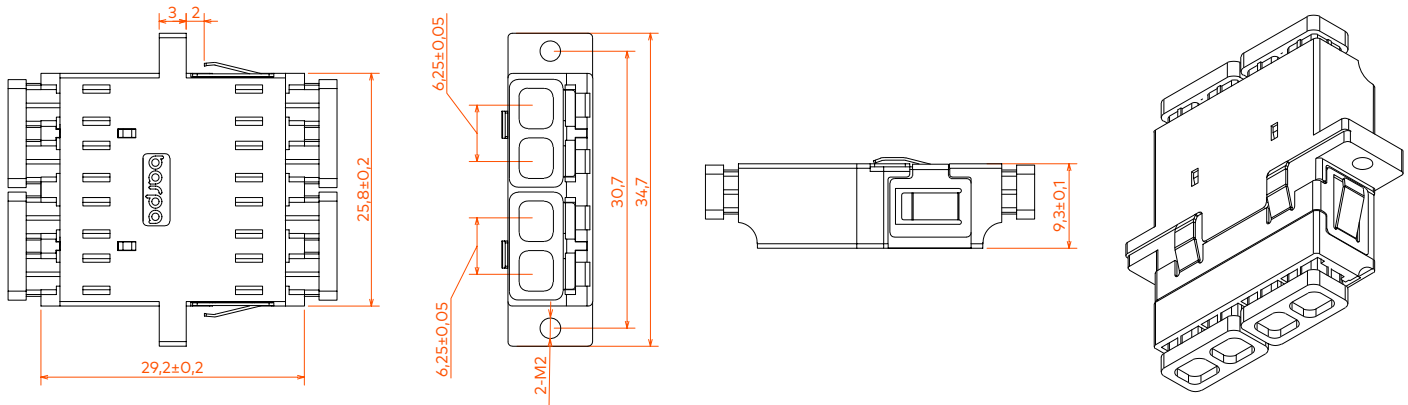
	Singlemode		Multimode
	UPC	APC	UPC
Insertion Loss (dB)	< 0,2	< 0,2	< 0,2
Durability (500 Mating) (dB)	< 0,2	< 0,2	< 0,2
Operation Temperature (oC)	-40 to +80	-40 to +80	-40 to +80
Retention Force (N)	200-600	200-600	200-600
Housing Material	PC UL 94	PC UL 94	PC UL 94
Mounting Style	Clip / Screws	Clip / Screws	Clip / Screws
Sleeve Material	Ceramic (Grade A)	Ceramic (Grade A)	Ceramic (Grade A)
Clip	Stainless	Stainless	Stainless
Dust Cover	TPV	TPV	TPV
Colour	Blue	Green	OM1/OM2: Gray; OM3: Aqua; OM4: Purple; OM5: Lime Green

### ORDER INFORMATION

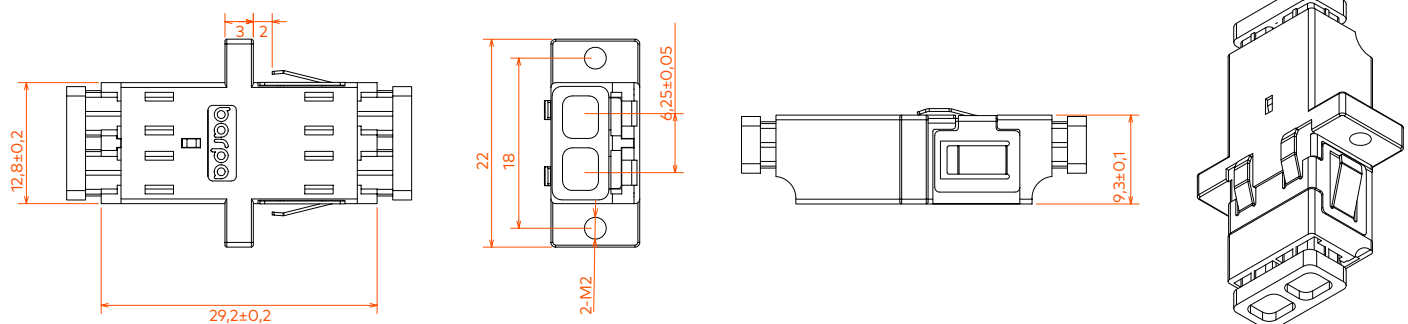
Code	Description	Conector	Category	Type	Color	Quantity (un)
81412041051	Adapter OS2 LC/APC Duplex with Flange Snap-In	LC/APC	OS2	Duplex	Green	12
81412051041	Adapter OS2 LC Duplex with Flange Snap-In	LC	OS2	Duplex	Blue	12
81412053011	Adapter OM2 LC Duplex with Flange Snap-In	LC	OM2	Duplex	Grey	12
81412054031	Adapter OM3 LC Duplex with Flange Snap-In	LC	OM3	Duplex	Aqua	12
81412055061	Adapter OM4 LC Duplex with Flange Snap-In	LC	OM4	Duplex	Purple	12
81412056070	Adapter OM5 LC Duplex with Flange Snap-In	LC	OM5	Duplex	Lime Green	12
81413053011	Adapter OM2 LC Quadruplex with Flange Snap-In	LC	OM2	Quadruplex	Grey	12
81413054031	Adapter OM3 LC Quadruplex with Flange Snap-In	LC	OM3	Quadruplex	Aqua	12
81413055061	Adapter OM4 LC Quadruplex with Flange Snap-In	LC	OM4	Quadruplex	Purple	12
81413056070	Adapter OM5 LC Quadruplex with Flange Snap-In	LC	OM5	Quadruplex	Lime Green	12

### TECHNICAL DRAWING (mm)

#### LC DUPLEX WITH FLANGE SNAP-IN



#### LC QUADRUPLIX WITH FLANGE SNAP-IN



### PACKAGING

---

This images are merely illustratives. We want you to see the importance we attach to the packaging.  
We always work with products and materials that are easy to use.



As part of our goal to achieve quality excellence, our barpa System Warranty can give you 25 years products and solution assurance of compliance with the industry performance standard comparing with the class installed. This warranty applies to network infrastructure installations that was made by an approved barpa partner using an barpa solution (end-to-end). For more informations go to our website.