

SPLITTER PATCH PANEL

DESCRIPTION

The barpa Splitter Patch Panel is an unit to hold PLC splitters.

Steel construction with Black Powder Coating.
Specially designed for GPON barpa solution.

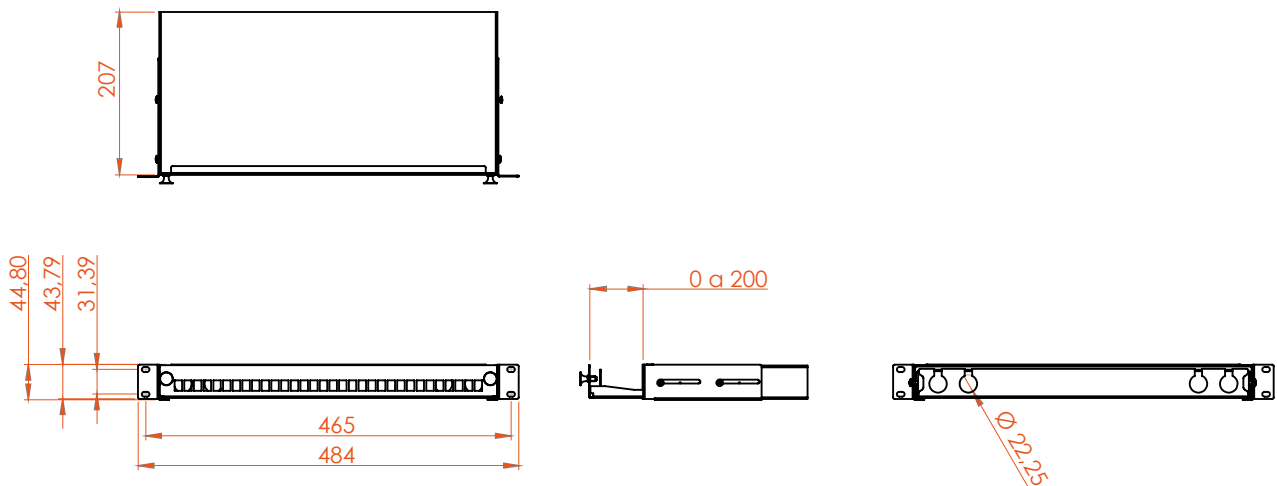
You can purchase this single product or you can customize per your needs (with splitters and adapters).



FEATURES

Adapter Type	SC Simplex
Thickness (mm)	1,5
Color	Black (RAL9005)
Dimension (mm)	484x44,8x207
Weight (kg)	2,4

TECHNICAL DRAWING (mm)



SPLITTER PATCH PANEL

ORDER INFORMATION

Code	For Splitters	Max Number of Splitters	Connector	Quantity inner box	Measurement inner box (cm)	EAN Code
81503110210	1x2	8	SC Simplex	1		5608445033604
81503110410	1x4	5	SC Simplex	1	50x22x5,5	5608445033611
81503110810	1x8	3	SC Simplex	1		5608445033628

CUSTOMIZATION - HIGGS BY BARPA

TAILOR MADE

You can order this customized, what you need to consider:

Choose the type of splitter you want

1x2

1x4

1x8

Choose the number of splitters you want

For 1x2 - Maximum of splitters 8

For 1x4 - Maximum of splitters 5

For 1x8 - Maximum of splitters 3

Choose the type of splitter you want



EU

This product is developed and produced in Europe.

25
YEARS
WARRANTY

As part of our goal to achieve quality excellence, our barpa System Warranty can give you 25 years products and solution assurance of compliance with the industry performance standard comparing with the class installed. This warranty applies to network infrastructure installations that was made by an approved barpa partner using an barpa solution (end-to-end). For more informations go to our website.